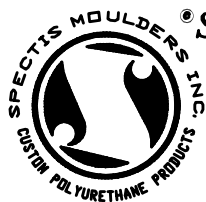
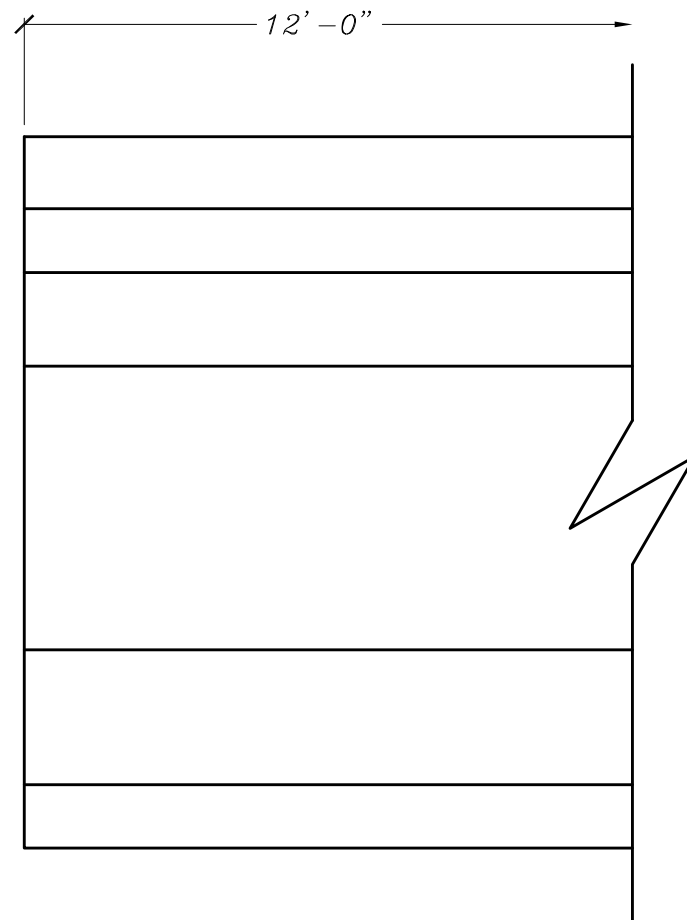
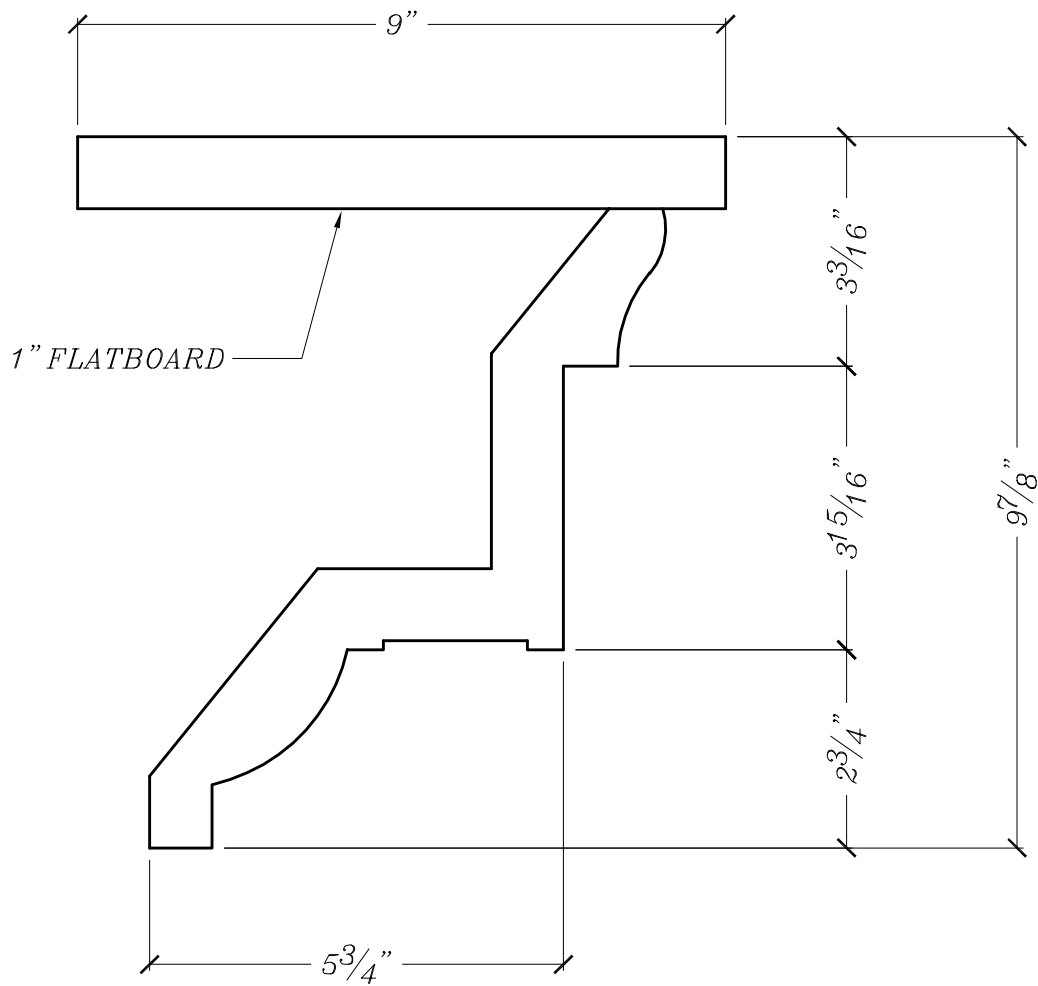


**0-685-9981**

1. ALL PRODUCTS ARE DRAWN FOR PRES!  
THEREFORE IMAGE MAY VARY SLIGHTLY FROM ACTUAL PART.
2. DRAWING INTENT IS TO INDICATE GENERAL ARRANGEMENT.  
DESIGN AND INTENT OF WORK IS PARTLY DIAGRAMATIC.
3. SPECTIS RESERVES THE RIGHT TO CHANGE ANY PRODUCT  
DESIGN WITHOUT NOTIFICATION.

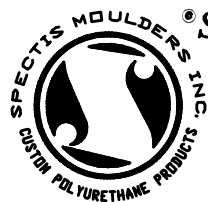
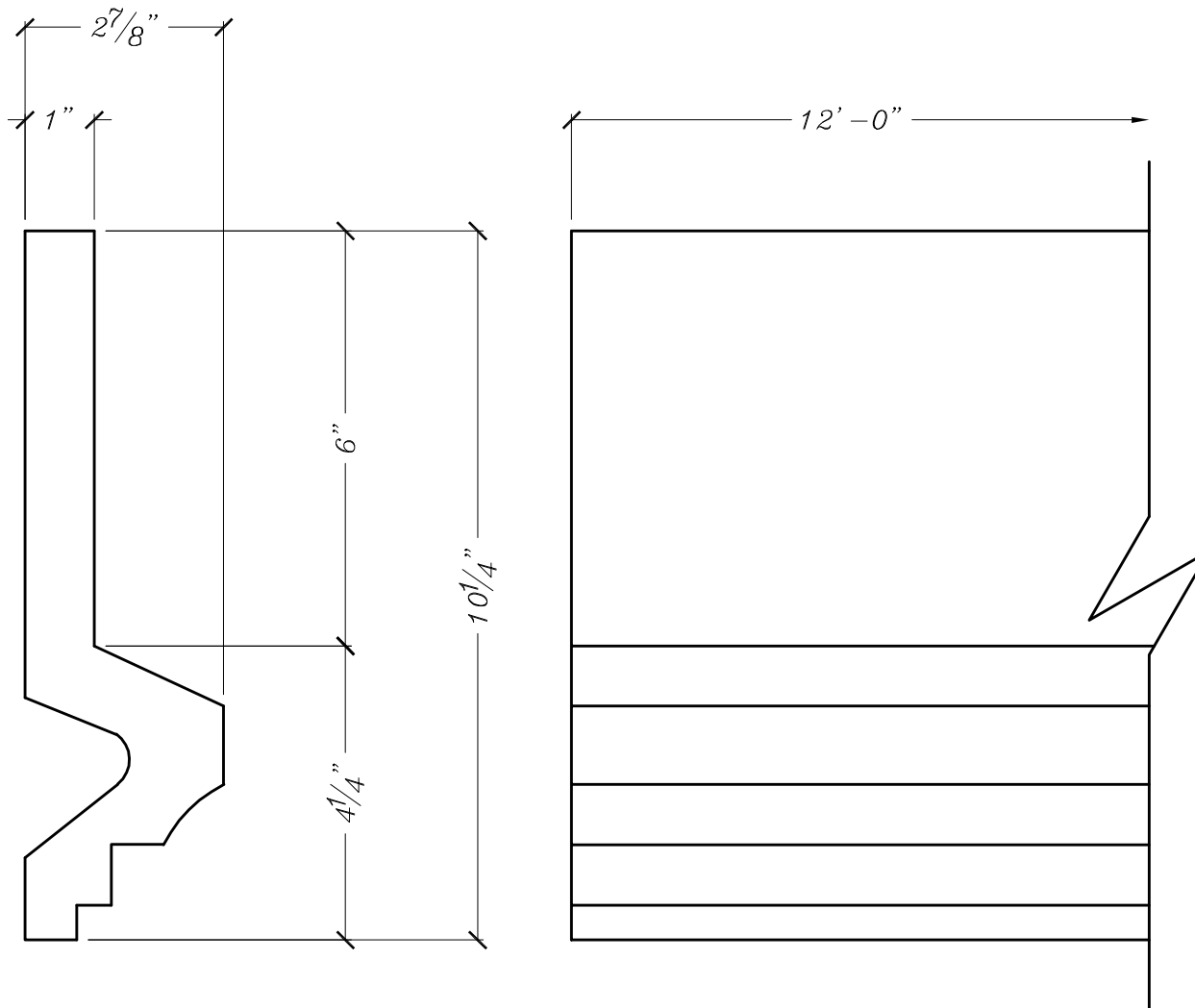
<i>CUSTOMER/PRO. NAME &amp; QUOTE#:</i>		<i>TITLE:</i>	
STANDARD PRODUCT		MOULDING	
<i>BILL OF MAT / PART #:</i>		<i>SCALE:</i>	<i>DATE:</i>
MD 1192		1/4" = 1"	05/03/17
		<i>DWG BY:</i>	<i>REV</i>
		DS	



**SPECTIS MOULDERS INC.**  
**1-800-685-9981**

NOTES:  
 1. ALL PRODUCTS ARE DRAWN FOR PRESENTATION PURPOSES, THEREFORE IMAGE MAY VARY SLIGHTLY FROM ACTUAL PART.  
 2. DRAWING INTENT IS TO INDICATE GENERAL ARRANGEMENT, DESIGN AND INTENT OF WORK IS PARTLY DIAGRAMATIC.  
 3. SPECTIS RESERVES THE RIGHT TO CHANGE ANY PRODUCT DESIGN WITHOUT NOTIFICATION.

CUSTOMER/PRO. NAME & QUOTE#: STANDARD PRODUCT		TITLE: MOULDING	
BILL OF MAT / PART #: MD 1192 / PART 1		SCALE: 3/8" = 1"	DATE: 05/03/17
		DWG BY: DS	REV



**SPECTIS MOULDERS INC.**  
**1-800-685-9981**

**NOTES:**

1. ALL PRODUCTS ARE DRAWN FOR PRESENTATION PURPOSES, THEREFORE IMAGE MAY VARY SLIGHTLY FROM ACTUAL PART.
2. DRAWING INTENT IS TO INDICATE GENERAL ARRANGEMENT, DESIGN AND INTENT OF WORK IS PARTLY DIAGRAMATIC.
3. SPECTIS RESERVES THE RIGHT TO CHANGE ANY PRODUCT DESIGN WITHOUT NOTIFICATION.

CUSTOMER/PRO. NAME & QUOTE#:		TITLE:	
STANDARD PRODUCT		MOULDING	
BILL OF MAT / PART #:		SCALE:	DATE:
MD 1192 / PART 2		3/8" = 1"	05/03/17
		DWG BY:	REV
		DS	