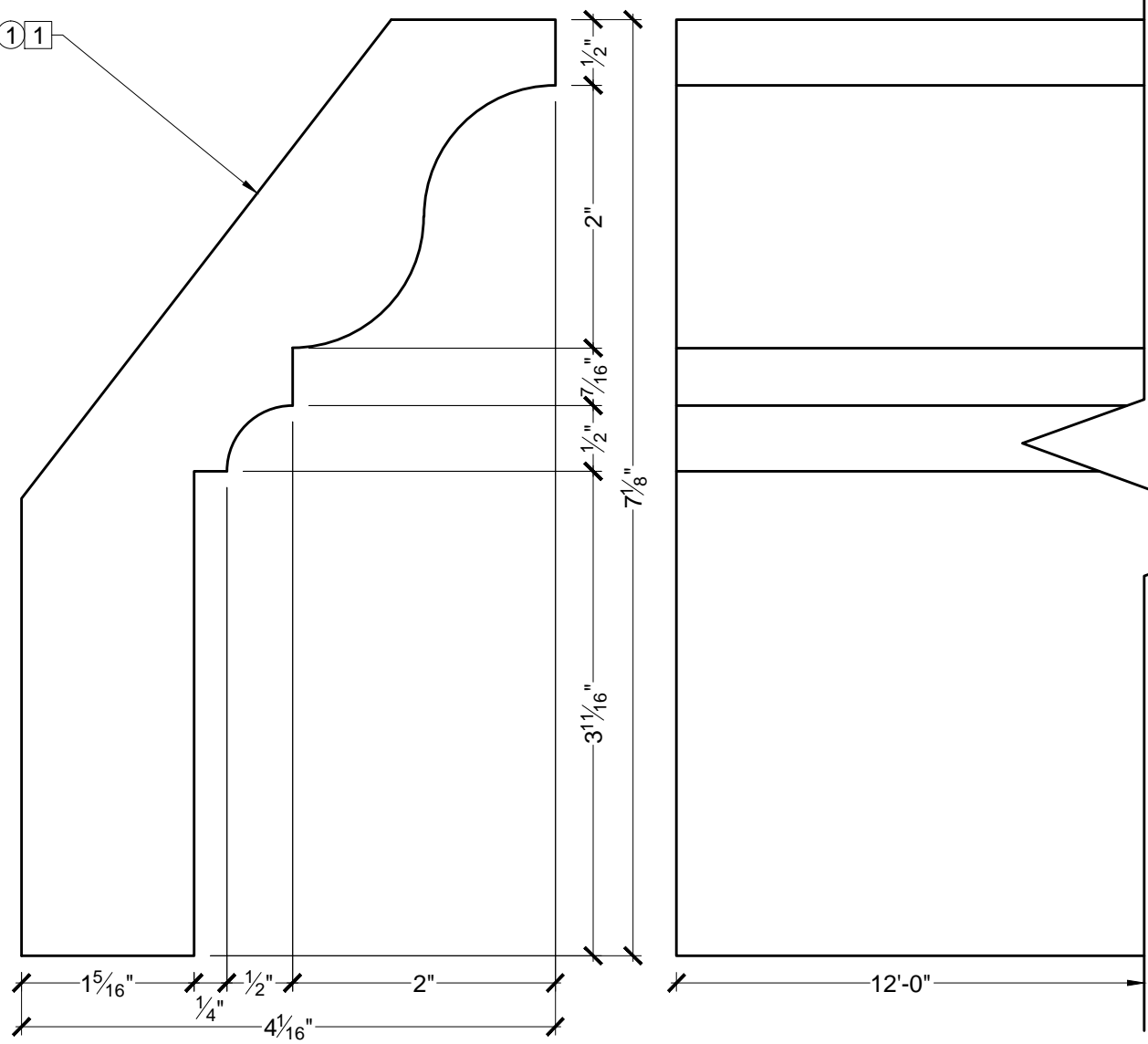


1 1



BILL OF MATERIAL

① MD1920 - MOULDING MADE OF POLYURETHANE

OPERATIONS

① UNFINISHED BACK

GENERAL NOTES:

-ALL CUSTOM MANUFACTURED AND/OR MODIFIED STANDARD PRODUCTS ARE NON-RETURNABLE

-SPECTIS ADHESIVE MUST BE USED ON ALL BEDDING/BUTT JOINTS

Confirm For Correctness
 & Fax Back Within 24 Hrs.
 To (204) 388-6710
 Your Signature: _____



SPECTIS MOULDERS INC.

P.O. BOX 970
 100 CEDAR DRIVE
 NIVERVILLE, MANITOBA
 CANADA R0A 1E0

PHONE: 204-388-6700
 PHONE: 800-685-9981
 FAX: 204-388-6710

BOX 479
 PEMBINA,
 NORTH DAKOTA
 58271-0479
 U.S.A

GENERAL NOTES:
 1. ALL PRODUCTS ARE DRAWN FOR PRESENTATION PURPOSE, ONLY IMAGE MAY VARY SLIGHTLY FROM ACTUAL PART
 2. DRAWING INTENT IS TO INDICATE GENERAL ARRANGEMENT, DESIGN AND INTENT OF WORK IS PARTLY DIAGRAMMATIC.
 3. SPECTIS RESERVES THE RIGHT TO CHANGE ANY PRODUCT DESIGN WITHOUT NOTICE.

© 2012 Spectis Moulders Inc. All rights reserved. This document may not be used or duplicate without prior consent.

CUSTOMER NAME: STANDARD PRODUCT		PART: MD1920	
REFERENCE: MOULDING		SHEET: 01 OF 01	
DRAWN BY: JK	DATE: 07/31/12	SCALE: 3/4" = 1"	REV: